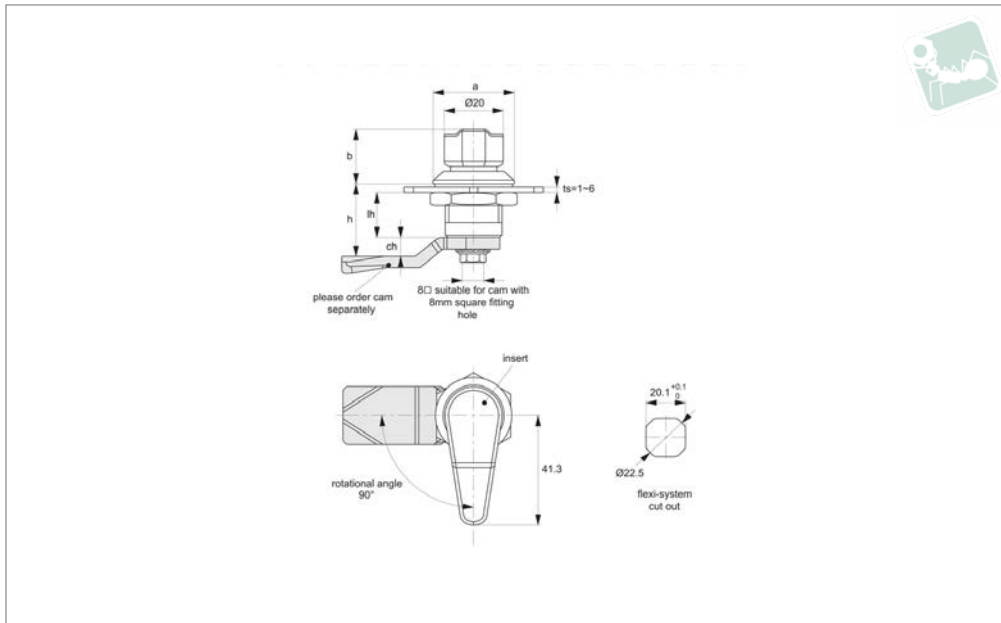




Cam Latches - Flexi-System

fixed grip - finger handle

Latches



CC0440

LATCHES

Material

Type one: Body: die cast zinc, black powder coated.

Handle: polyamide, black.

Type two: Body & handle: polyamide, black.

Technical Notes

Order cam separately.

Cams: see suitable cam CC0020, and CC0040. Select „without projection“ cam

type.

Dimensions ch and cl relate to cam. Use formula to calculate ch (required cam off-set), and refer to cam selection chart;

ch = h - lh where;

ch = required cam off-set/height.

h = grip length (distance between inside of latch face and front of cam).

lh = body length of cam latch/lock to be used (see product table below).

Rods & Guides: to achieve 3-point latching - CC0340, CC0350, CC0355.

Tips

Finger knob actuates lock, and also acts as a handle.

Important Notes

Sold subject to pack quantity.

Order No.	Type	a	b	lh
CC0440.M0318	One Zinc	28	18	18
CC0440.M0328	One Zinc	28	18	28
CC0440.M0362	One Zinc	28	18	62
CC0440.M0518	Two Polyamide	28	18	18
CC0440.M0536	Two Polyamide	28	18	36