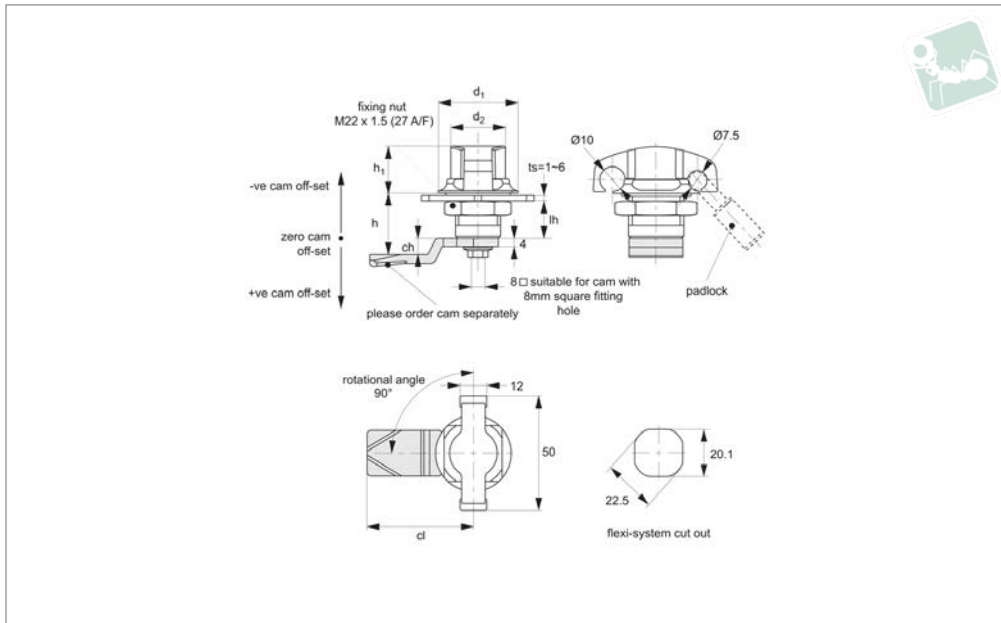




Cam Latches - Flexi-System

padlock wing handle - fixed grip - zinc

Latches



CC0430

LATCHES

Material

Body & Handle: die cast zinc, pocked black powder or chrome plated.

Not supplied: CAM - order separately.

Technical Notes

Order cam separately.

Cams: see suitable cam CC0020, and CC0040. Select „without projection“ cam type.

Dimensions ch and cl relate to cam. Use

formula to calculate ch (required cam off-set), and refer to cam selection chart;

ch = h - lh where;

ch = required cam off-set/height.

h = grip length (distance between inside of latch face and front of cam).

lh = body length of cam latch/lock to be used (see product table below).

Rods & Guides: to achieve 3-point latching - CC0340, CC0350, CC0355.

Tips

The wing knob can be locked by two sizes of padlock max. shackle dia. 7.5mm or 10mm. See technical diagram (padlock not supplied).

Panel thickness (ts) is 1 to 6mm max.

Important Notes

Sold subject to pack quantity.

Order No.	Type	d ₁	h ₁	d ₂	lh	Finish
CC0430.M0310	Black Coated	33	19	21	18	black coated

