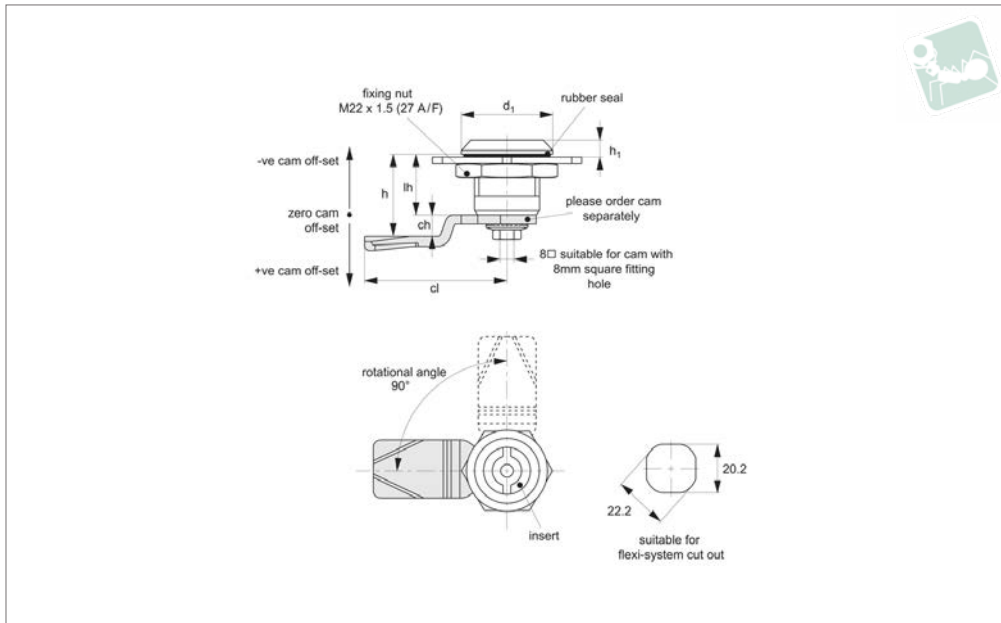




# Cam Latches - Flexi-System

insert driver - fixed grip - plastic

## Latches



### CC0410

LATCHES

#### Material

Body: polyamide plastic, black.  
 Insert: zinc alloy, black coated. Fitted with O'ring to achieve IP54 rating. Internal spring provides 1,5mm torsion.  
**Supplied with:** Nut: steel, zinc plated.  
 Sealing washer: PU & Rubber.  
**Not supplied:** CAM nor KEY - order separately.

#### Technical Notes

Order cam and key separately.

**Cams:** see suitable cam CC0020, and CC0040. Select „without projection“ cam type.

Dimensions ch and cl relate to cam. Use formula to calculate ch (required cam off-set), and refer to cam selection chart;

**ch = h - lh** where;

**ch** = required cam off-set/height.

**h** = grip length (distance between inside of latch face and front of cam).

**lh** = body length of cam latch/lock to be

used (see product table below).

**Keys:** see CC0010.

**Rods & Guides:** to achieve 3-point latching - CC0340, CC0350, CC0355.

#### Important Notes

An inexpensive alternative to stainless steel, where water or other solutions may cause corrosion.

Sold subject to pack quantity.

Order No.	Insert driver	d <sub>1</sub>	h <sub>1</sub>	lh
CC0410.M0010	Square 7	28	6	18
CC0410.M0020	Square 8	28	6	18
CC0410.M0040	Triangle 7	28	6	18
CC0410.M0050	Triangle 8	28	6	18
CC0410.M0060	3mm Double Bit	28	6	18
CC0410.M0070	4mm Double Bit	28	6	18
CC0410.M0080	Slotted (2x4)	28	6	18



Available insert drivers:

Square 7	Square 8	Triangle 7	Triangle 8	3mm Double Bit	4mm Double Bit	2 x 4mm Slotted
