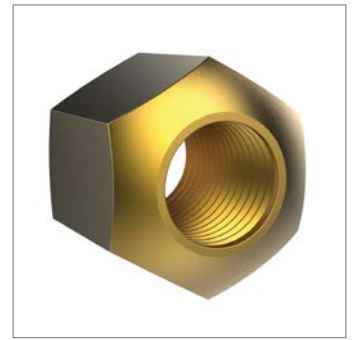
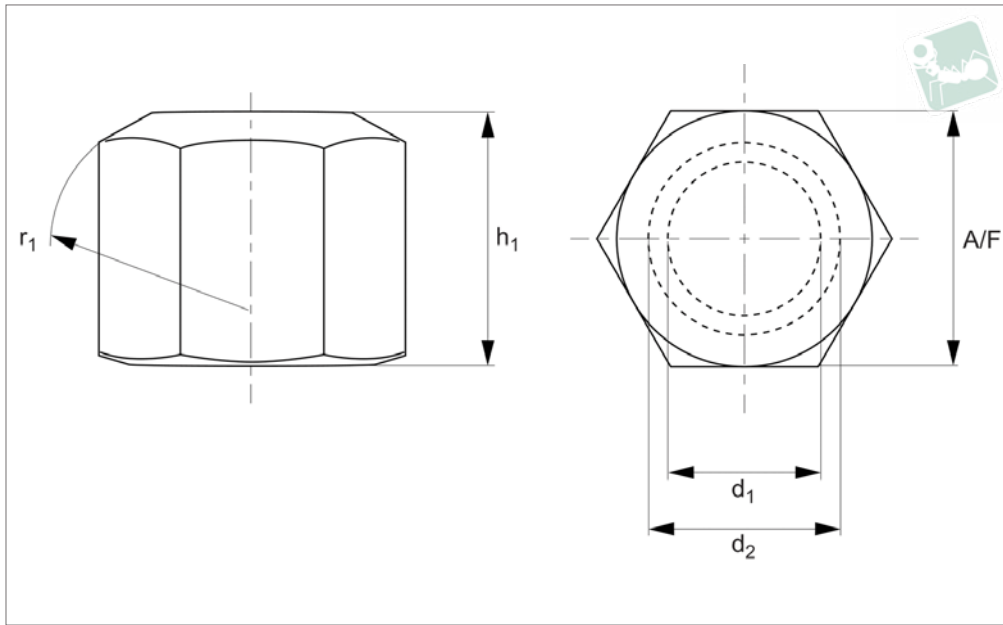




Hexagon Nuts with collar

Brass



B0531.B0

BRASS

Material

Brass, Cu3 (CuZn39Pb3).

Technical Notes

DIN 6330 B

Order No.	d ₁	d ₂	h ₁	A/F	r ₁
B0531.060	M 6	7	9	10	9
B0531.080	M 8	9	12	13	11
B0531.100	M10	11.5	15	16	15
B0531.120	M12	14	18	18	17
B0531.160	M16	18	24	24	22
B0531.200	M20	22	30	30	27
B0531.240	M30	32	45	46	41
B0531.360	M36	38	54	55	50