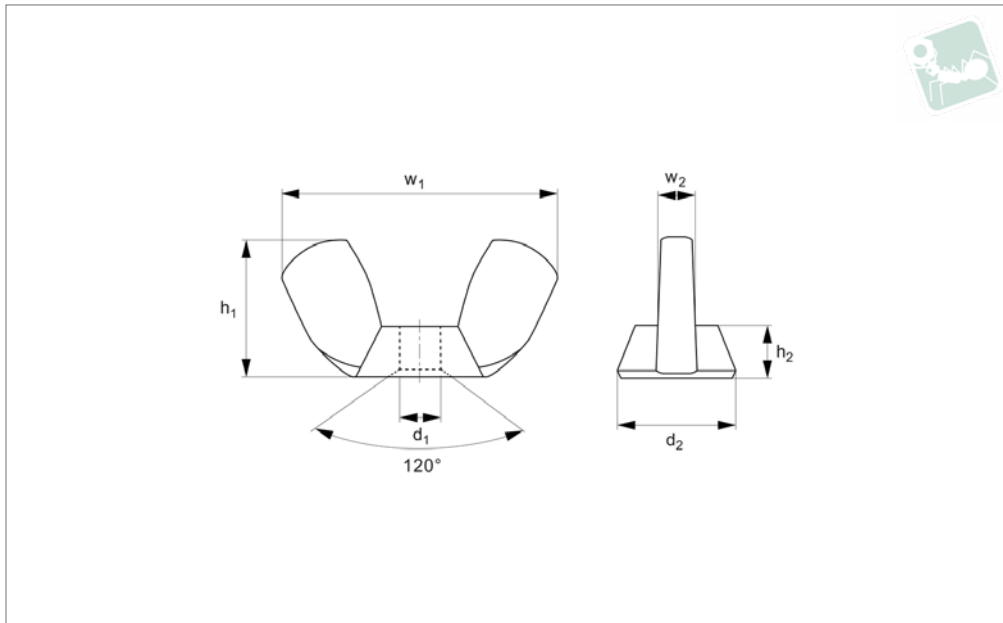




# Wing Nuts female thread

Brass



## B0525.B0

BRASS

### Material

Brass, Cu3 (CuZn39Pb3).

### Technical Notes

DIN 315

| Order No. | d <sub>1</sub> | d <sub>2</sub> | h <sub>1</sub> | h <sub>2</sub> | w <sub>1</sub> | w <sub>2</sub> | Material | Finish     |
|-----------|----------------|----------------|----------------|----------------|----------------|----------------|----------|------------|
| B0525.030 | M 3            | 6.8            | 8.8            | 15.3           | 15.3           | 1.2            | Brass    | Unfinished |
| B0525.040 | M 4            | 8.0            | 8.8            | 17.6           | 17.6           | 1.6            | Brass    | Unfinished |
| B0525.050 | M 5            | 10.3           | 10.5           | 22.5           | 22.5           | 2.1            | Brass    | Unfinished |
| B0525.060 | M 6            | 12.7           | 12.9           | 27.8           | 27.8           | 2.5            | Brass    | Unfinished |
| B0525.080 | M 8            | 13.8           | 14.8           | 30.3           | 30.3           | 2.8            | Brass    | Unfinished |
| B0525.100 | M10            | 16.5           | 17.3           | 36.2           | 36.2           | 3.3            | Brass    | Unfinished |
| B0525.120 | M12            | 22.5           | 22.3           | 49.4           | 49.4           | 4.5            | Brass    | Unfinished |
| B0525.160 | M16            | 26.6           | 30.8           | 58.3           | 58.3           | 5.5            | Brass    | Unfinished |