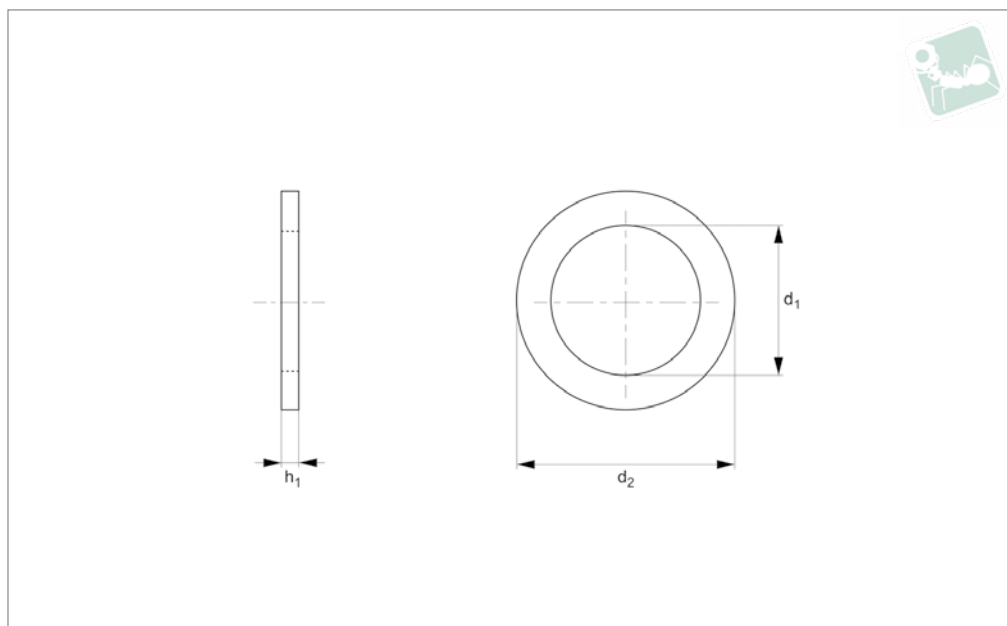




# Sealing Rings copper

Brass



**B0412.B6**

BRASS

**Material**  
Copper.

**Technical Notes**  
To DIN 7603 A. Used as sealing ring for pipe connections and blanking plugs.

Order No.	d <sub>1</sub>	d <sub>2</sub>	h <sub>1</sub>	Suitable for DIN 908 thread	Suitable for pipe thread
B0412.0510010B60	5	10	1.0	-	-
B0412.0610010B60	6	10	1.0	-	-
B0412.0710010B60	7	10	1.0	-	-
B0412.0812010B60	8	12	1.0	M 8 x 1,0	-
B0412.0914010B60	9	14	1.0	-	-
B0412.1014010B60	10	14	1.0	M10 x 1,0	G1/8"
B0412.1016010B60	10	16	1.0	M10 x 1,0	-
B0412.1420010B60	14	20	1.0	-	-
B0412.1520010B60	15	20	1.0	-	-
B0412.0610015B60	6	10	1.5	-	-
B0412.0814015B60	8	14	1.5	M 8 x 1,0	-
B0412.0914015B60	9	14	1.5	M10 x 1,0	-
B0412.1014015B60	10	14	1.5	M10 x 1,0	G1/8"
B0412.1016015B60	10	16	1.5	M10 x 1,0	-
B0412.1420015B60	14	20	1.5	-	-
B0412.1222015B60	14	22	1.5	-	-
B0412.1520015B60	15	20	1.5	-	-
B0412.1620015B60	16	20	1.5	M16 x 1,5	-
B0412.1622015B60	16	22	1.5	-	-
B0412.1721015B60	17	21	1.5	-	G3/8"
B0412.2126015B60	21	26	1.5	-	G1/2"
B0412.2128015B60	21	28	1.5	-	-
B0412.2227015B60	22	27	1.5	M22 x 1,5	-
B0412.2229015B60	22	29	1.5	-	-
B0412.1019020B60	10	19	2.0	-	-
B0412.1318020B60	13	18	2.0	-	-
B0412.1418020B60	14	18	2.0	M14 x 1,5	G1/4"
B0412.2024020B60	20	24	2.0	M20 x 1,5	-
B0412.2128020B60	21	28	2.0	-	-
B0412.2226020B60	22	26	2.0	M22 x 1,5	-
B0412.2229020B60	22	29	2.0	-	-
B0412.2430020B60	24	30	2.0	M24 x 1,5	-
B0412.2432020B60	24	32	2.0	-	-
B0412.2632020B60	26	32	2.0	M26 x 1,5	G3/4"
B0412.2834020B60	28	34	2.0	-	-



Order No.	d <sub>1</sub>	d <sub>2</sub>	h <sub>1</sub>	Suitable for DIN 908 thread	Suitable for pipe thread
B0412.3036020B60	30	36	2.0	M30 x 1,5	G7/8"
B0412.3038020B60	30	38	2.0	-	-
B0412.3238020B60	32	38	2.0	-	-
B0412.3240020B60	32	40	2.0	-	-
B0412.3339020B60	33	39	2.0	-	G1"
B0412.3642020B60	36	42	2.0	M36 x 2,0	G1-1/8"
B0412.3844020B60	38	44	2.0	M38 x 2,0	-
B0412.4047020B60	40	47	2.0	-	-
B0412.4552020B60	45	52	2.0	-	-
B0412.5057020B60	50	57	2.0	-	-