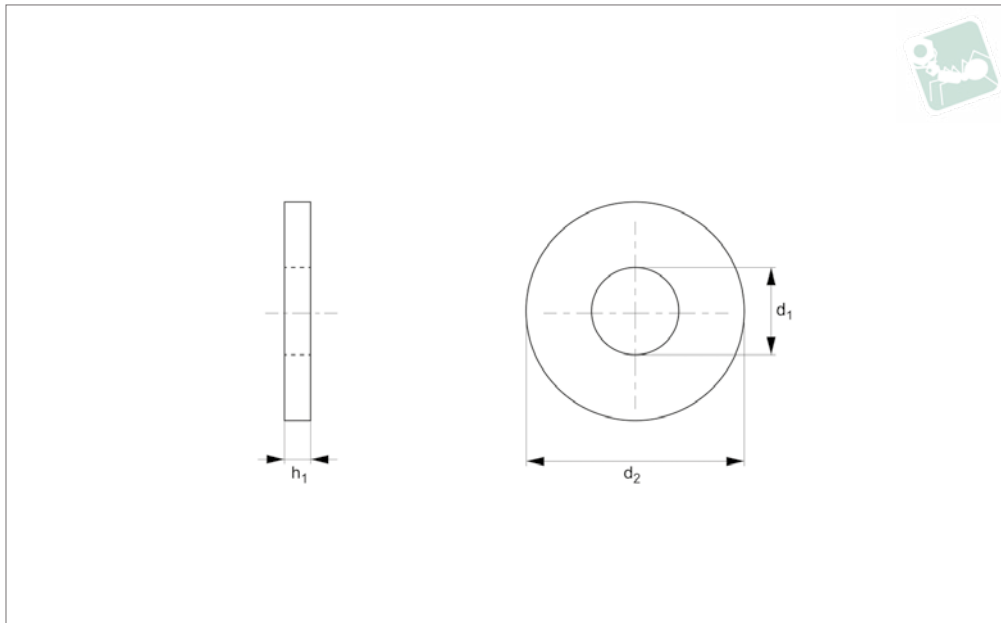




Washers For Cheese Head Screws

DIN 433

Brass



B0406.B0

BRASS

Material

Brass, Cu3 (CuZn39Pb3).

Technical Notes

To DIN 433.

Order No.	Thread	d_1	d_2	h_1	Material	Finish
B0406.022	M 2	2.2	4.5	0.3	Brass	Self colour/Unfinished
B0406.025	M2,5	2.7	6.0	0.5	Brass	Self colour/Unfinished
B0406.027	M2,5	2.7	5.0	0.5	Brass	Self colour/Unfinished
B0406.032	M 3	3.2	6.0	0.5	Brass	Self colour/Unfinished
B0406.037	M3,5	3.7	7.0	0.5	Brass	Self colour/Unfinished
B0406.043	M 4	4.3	8.0	0.8	Brass	Self colour/Unfinished
B0406.053	M 5	5.3	9.0	1.0	Brass	Self colour/Unfinished
B0406.064	M 6	6.4	11	1.6	Brass	Self colour/Unfinished
B0406.084	M 8	8.4	15	1.6	Brass	Self colour/Unfinished
B0406.105	M10	10.5	18	1.6	Brass	Self colour/Unfinished
B0406.120	M12	13.0	20	2.0	Brass	Self colour/Unfinished
B0406.170	M16	17.0	28	2.5	Brass	Self colour/Unfinished
B0406.210	M20	21.0	34	3.0	Brass	Self colour/Unfinished