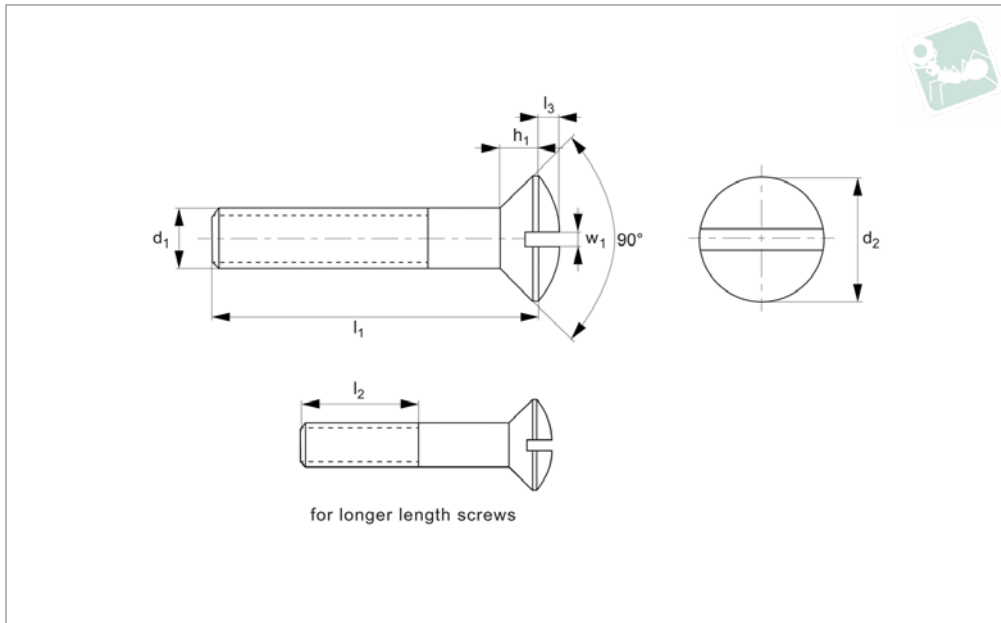




# Slotted Raised Csk Head Screws

DIN 964

Brass



**B0022.B0**

BRASS

## Material

Brass, Cu3 (CuZn39Pb3).

lengths the threads goes all the way to the head of the screw (i.e.  $l_1 = l_2$ ) less 2.5 thread pitches.

portion  $l_2 < l_1$ .

## Technical Notes

To DIN 964. For the majority of screw

For longer length screws the threaded

Order No.	d <sub>1</sub>	l <sub>1</sub>	d <sub>2</sub>	h <sub>1</sub>	l <sub>2</sub>	w
B0022.020-005	M 2	5	3	1.20	0.32	2.5
B0022.020-010	M 2	10	3	1.20	0.32	2.5
B0022.025-008	M2,5	8	3.8	1.2	0.4	3.0
B0022.030-004	M 3	4	4.7	1.5	0.5	3.0
B0022.030-005	M 3	5	4.7	1.5	0.5	3.0
B0022.030-006	M 3	6	4.7	1.5	0.5	3.0
B0022.030-008	M 3	8	4.7	1.5	0.5	3.0
B0022.030-010	M 3	10	4.7	1.5	0.5	-
B0022.030-012	M 3	12	4.7	1.5	0.5	4.0
B0022.030-016	M 3	16	4.7	1.5	0.5	4.0
B0022.030-020	M 3	20	4.7	1.5	0.5	4.0
B0022.030-025	M 3	25	4.7	1.5	0.5	4.0
B0022.030-030	M 3	30	4.7	1.5	0.5	4.0
B0022.040-005	M 4	5	7.5	2.2	0.8	4.0
B0022.040-006	M 4	6	7.5	2.2	0.8	4.0
B0022.040-008	M 4	8	7.5	2.2	0.8	4.0
B0022.040-010	M 4	10	7.5	2.2	0.8	4.0
B0022.040-012	M 4	12	7.5	2.2	0.8	4.0
B0022.040-016	M 4	16	7.5	2.2	0.8	4.0
B0022.040-020	M 4	20	7.5	2.2	0.8	4.0
B0022.040-025	M 4	25	7.5	2.2	0.8	-
B0022.040-030	M 4	30	7.5	2.2	0.8	5.0
B0022.040-035	M 4	35	7.5	2.2	0.8	5.0
B0022.040-040	M 4	40	7.5	2.2	0.8	5.0
B0022.050-008	M 5	8	9.2	2.5	1.0	5.0
B0022.050-010	M 5	10	9.2	2.5	1.0	5.0
B0022.050-012	M 5	12	9.2	2.5	1.0	5.0
B0022.050-016	M 5	16	9.2	2.5	1.0	-
B0022.050-020	M 5	20	9.2	2.5	1.0	6.0
B0022.050-025	M 5	25	9.2	2.5	1.0	6.0
B0022.050-030	M 5	30	9.2	2.5	1.0	6.0
B0022.050-035	M 5	35	9.2	2.5	1.0	6.0
B0022.050-040	M 5	40	9.2	2.5	1.0	6.0
B0022.060-010	M 6	10	11	3.0	1.2	6.0



Order No.	d <sub>1</sub>	l <sub>1</sub>	d <sub>2</sub>	h <sub>1</sub>	l <sub>2</sub>	w
B0022.060-012	M 6	12	11	3.0	1.2	-
B0022.060-016	M 6	16	11	3.0	1.2	8.0
B0022.060-020	M 6	20	11	3.0	1.2	8.0
B0022.060-025	M 6	25	11	3.0	1.2	8.0
B0022.060-030	M 6	30	11	3.0	1.2	8.0
B0022.060-035	M 6	35	11	3.0	1.2	8.0
B0022.060-040	M 6	40	11	3.0	1.2	8.0