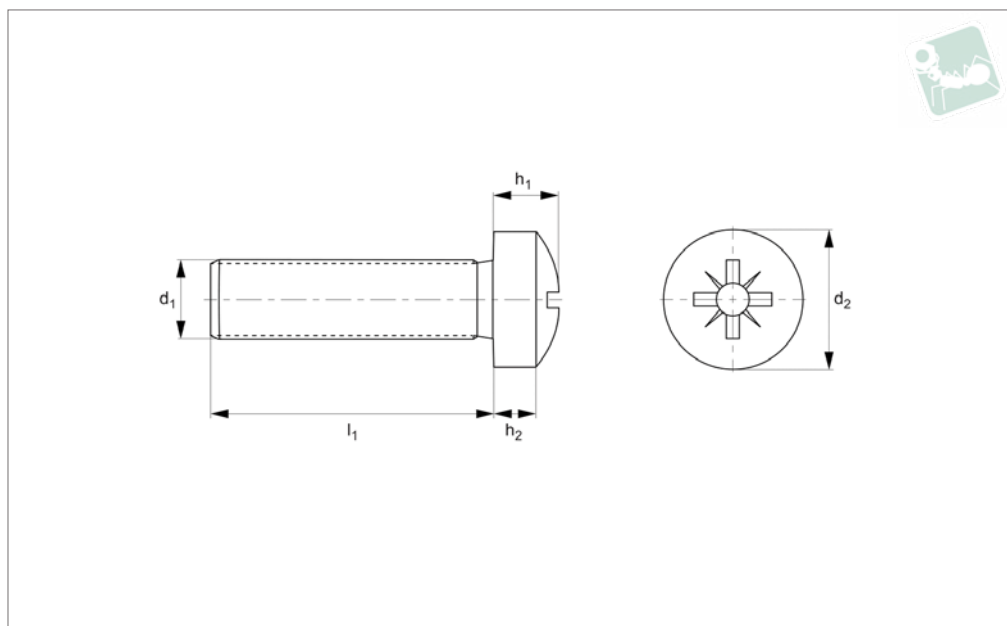




# Pozi Pan Head Screws

To DIN 7985 Z, 7075

Aluminium



**A0028.A7**

ALUMINIUM

### Material

Aluminium high tensile, grade 7075 anodised.

### Technical Notes

Pozi-Panhead screws, DIN 7985, form Z.

Order No.	Thread	$l_1$	$d_2$	$h_1$	Size	Material	Finish
A0028.030-008	M 3	8.0	6.0	2.52	PZ-1	Aluminium	Anodised
A0028.030-010	M 3	10	6.0	2.52	PZ-1	Aluminium	Anodised
A0028.030-012	M 3	12	6.0	2.52	PZ-1	Aluminium	Anodised
A0028.030-016	M 3	16	6.0	2.52	PZ-1	Aluminium	Anodised
A0028.030-020	M 3	20	6.0	2.52	PZ-1	Aluminium	Anodised
A0028.030-030	M 3	30	6.0	2.52	PZ-1	Aluminium	Anodised
A0028.040-010	M 4	10	8.0	3.25	PZ-2	Aluminium	Anodised
A0028.040-012	M 4	12	8.0	3.25	PZ-2	Aluminium	Anodised
A0028.040-016	M 4	16	8.0	3.25	PZ-2	Aluminium	Anodised
A0028.040-020	M 4	20	8.0	3.25	PZ-2	Aluminium	Anodised
A0028.040-025	M 4	25	8.0	3.25	PZ-2	Aluminium	Anodised
A0028.050-016	M 5	16	10.0	3.95	PZ-2	Aluminium	Anodised
A0028.050-030	M 5	30	10.0	3.95	PZ-2	Aluminium	Anodised
A0028.060-012	M 6	12	12.0	4.75	PZ-3	Aluminium	Anodised
A0028.060-016	M 6	16	12.0	4.75	PZ-3	Aluminium	Anodised
A0028.060-020	M 6	20	12.0	4.75	PZ-3	Aluminium	Anodised
A0028.060-030	M 6	30	12.0	4.75	PZ-3	Aluminium	Anodised
A0028.060-040	M 6	40	12.0	4.75	PZ-3	Aluminium	Anodised