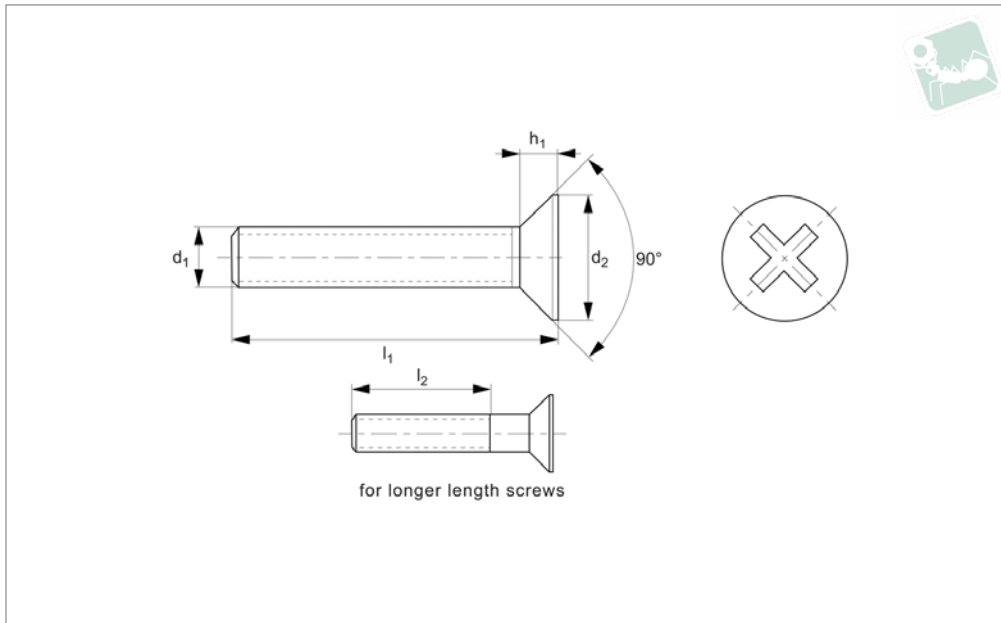




# Cross Recessed Csk Screws

flat head screws, DIN 965 H, 7075

Aluminium



**A0019.A7**

ALUMINIUM

**Material**

Aluminium high tensile.

screw lengths the threads goes all the way to the head of the screw (i.e.  $l_1 = l_2$ ) less 2.5 thread pitches.

portion  $l_2 < l_1$ .

**Technical Notes**

To DIN 965 H, ISO 7046. For the majority of

For longer length screws the threaded

See technical page for tightening torques.

Order No.	Thread	$l_1$	$d_2$	$l_2$	$h_1$	Size	Material	Finish
A0019.030-016	M 3	16	5.6	-	1.65	PH-1	Aluminium	clear anodised
A0019.030-020	M 3	20	5.6	-	1.65	PH-1	Aluminium	clear anodised
A0019.030-025	M 3	25	5.6	19	1.65	PH-1	Aluminium	clear anodised
A0019.040-016	M 4	16	7.5	-	2.2	PH-2	Aluminium	clear anodised
A0019.040-025	M 4	25	7.5	-	2.2	PH-2	Aluminium	clear anodised
A0019.050-012	M 5	12	9.2	-	2.5	PH-2	Aluminium	clear anodised
A0019.050-016	M 5	16	9.2	-	2.5	PH-2	Aluminium	clear anodised
A0019.050-020	M 5	20	9.2	-	2.5	PH-2	Aluminium	clear anodised
A0019.060-016	M 6	16	11	-	3.0	PH-3	Aluminium	clear anodised
A0019.060-020	M 6	20	11	-	3.0	PH-3	Aluminium	clear anodised
A0019.060-025	M 6	25	11	-	3.0	PH-3	Aluminium	clear anodised
A0019.060-030	M 6	30	11	-	3.0	PH-3	Aluminium	clear anodised
A0019.060-040	M 6	40	11	28	3.0	PH-3	Aluminium	clear anodised
A0019.060-050	M 6	50	11	28	3.0	PH-3	Aluminium	clear anodised
A0019.080-020	M 8	20	14.5	-	4.0	PH-4	Aluminium	clear anodised
A0019.080-050	M 8	50	14.5	34	4.0	PH-4	Aluminium	clear anodised